

SDCV- Slanted Disc Check Valve

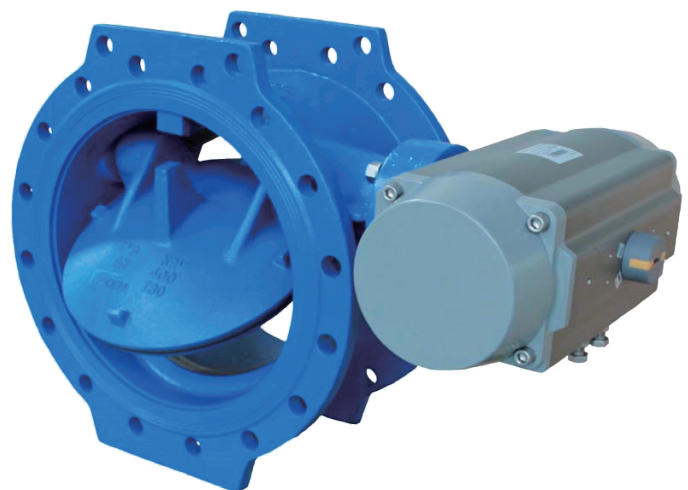
SDCV is a slanted disc check valve. It has built in air cushion for slow closing. At the last 10% of the closing stroke, the air cushion will make the valve close slowly to avoid hard impact.

Features:

- No slam, mute
- Good performance for the anti-surge
- Easy maintenance
- Zero flow velocity and following shut-off valve
- Soft sealing acc. to the standard of EN 12334
- Nickel-based stainless steel seat, corrosion resistance, low wear coefficient, long-life, high reliability
- The soft lock device when open fully, not only reduce the loss of the head but also to avoid the excessive swing
- Inclined seat, short closing time
- Arc-shaped disc
- Cushioned air according to the working conditions can be adjusted, to avoid water hammer impact
- Epoxy powder coating in line with GSK standard
- In case the flow velocity is really low, the cushion equipment can be change to drive the valve open fully
- Epoxy powder coating inside and outside according to the standard of GSK

General Applications:

- Soft seal check valve, tilting seat, can be fully opened by low flow velocity. Suitable for the water and wastewater pump systems
- Pump protection
- The water network



Technical Data:

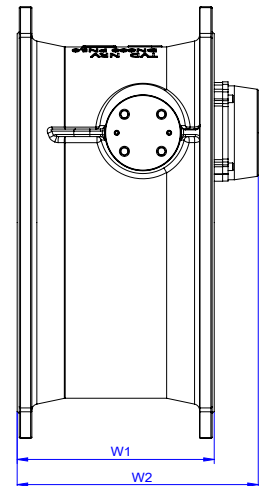
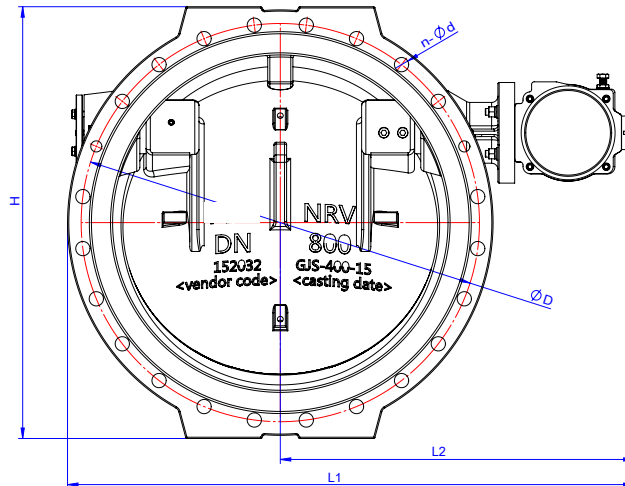
Size Range: DN 200-1600mm

Pressure rating: PN10 ,PN16.

Max. temperature Range:
-10°C to 80°C

RDCV-Mian Valve

- Body: GGG40
- Disc: GGG40
- Shaft: 2Cr13
- Sealing: EPDM
- Retaining ring: stainless steel 304
- Seat: nickel alloy welded seat
- Cushion device
Body, Piston: aluminum alloy
Seal guide: PTFE



Dimension:

Unit: mm

PN10

DN	unit	200	250	300	350	400	450	500	600	700	800	900	1000	1200	1400	1600
H	[mm]	370	410	470	530	600	600	680	820	910	1030	1130	1260	1480	1690	1930
L1	[mm]	609	615	744.5	858	901.5	901.5	1068	1123	1224	1352	1679	1684.5	1917	2410	2525
L2	[mm]	429	415	517	601	619	619	733	733	776	844	1119	1062	1182	1573	1618
D	[mm]	295	350	400	460	515	515	620	725	840	950	1050	1160	1380	1590	1820
n-Φd	[mm]	8-Φ23	12-Φ23	12-Φ23	16-Φ23	16-Φ28	16-Φ28	20-Φ28	20-Φ31	24-Φ30	24-Φ34	28-Φ34	28-Φ37	32-Φ41	36-Φ44	40-Φ50
W1	[mm]	230	250	270	290	310	310	350	390	430	470	510	550	630	710	790
W2	[mm]	253	278	288	354	361	361	424	489	519	575	784	784	845	946	950

PN16

DN	unit	200	250	300	350	400	450	500	600	700	800	1000	1400
H	[mm]	370	410	470	530	600	650	680	820	910	1030	1260	1260
L1	[mm]	609	615	744.5	858	913.5	1003	1090.5	1228.5	1245	1374.5	1712	2411
L2	[mm]	429	415	517	601	623	683	733	781	790	862	1084.5	1568
D	[mm]	295	355	410	470	525	585	650	700	840	950	1170	1590
n-Φd	[mm]	12-Φ23	12-Φ28	12-Φ28	16-Φ28	16-Φ31	20-Φ31	20-Φ34	20-Φ37	24-Φ37	24-Φ41	28-Φ44	36-Φ50
W1	[mm]	230	250	270	290	310	330	350	390	430	470	550	710
W2	[mm]	253	278	288	354	361	398	424	489	519	575	640	946

SDCV - 0150 - 16

Model:
SDCV: Slanted Disc Check Valve

End Connection / ratings:
10: PN10
16: PN16

Valve Size:
0080: 80 mm
0150: 150 mm

