



JIS F7302

JIS F7352

Design / Dizayn: JIS F7302 STOP
JIS F7352 SDNR

Pressure Rate / Basınç Aralığı: 5 K

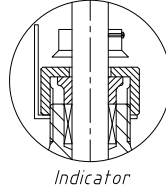
Size Range / Ölçü Aralığı: DN15-DN65

Temperature / Sıcaklık: Steam < 205 °C
Water < 120 °C

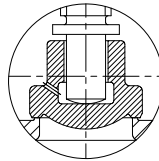
Flange Ends / Flanş: JIS B2240 - 5K

Inspection / Teftiş: JIS F7400

Application : Air, Gas, Oil, Pulsation Water



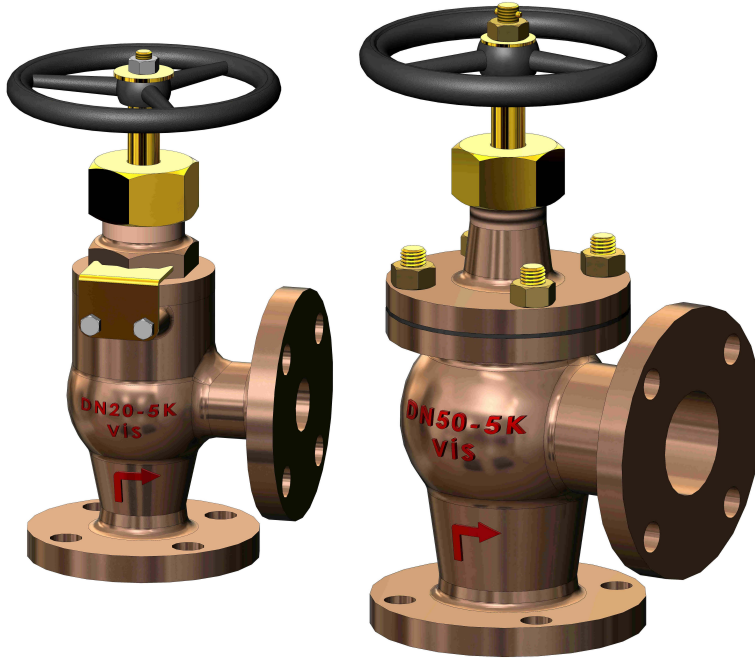
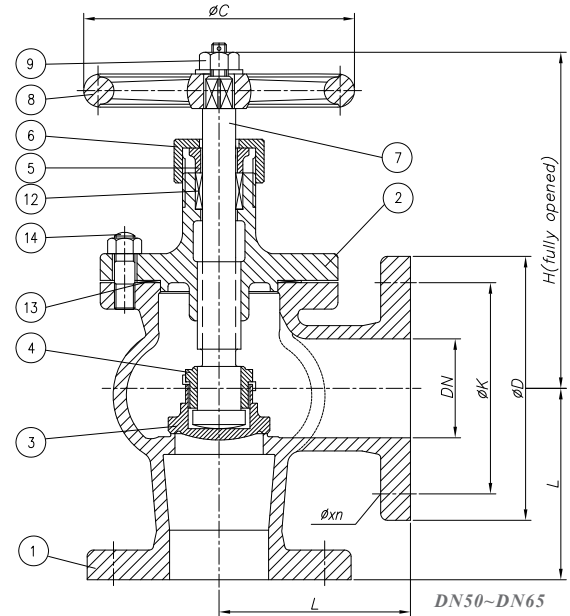
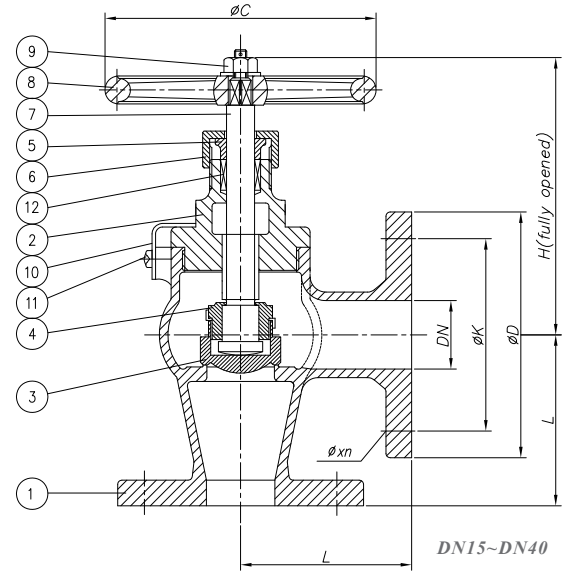
Indicator



Screw Down Non Return (SDNR)

JIS ANGLE GLOBE VALVE

JIS KÖŞE TİP GLOB VANA



NO	PART NAME	PARÇAADI	MATERIAL / MALZEME	NO	PART NAME	PARÇAADI	MATERIAL / MALZEME
1	Body	Gövde	Bronze Rg5	8	Handwheel	Volan	GG 25
2	Bonnet	Kapak	Bronze Rg5	9	Nut	Somun	Brass / SS 304
3	Disc	Klape	Brass /Bronze	10	Lock Plate	Kilit plakası	Brass / SS 304
4	Disc Nut	Baskı	Brass	11	Screw	Vida	Brass / SS 304
5	Packing Gland	Salm. Baskısı	Brass	12	Packing	Salmastra	Graphite
6	Gland Nut	Baskı Somunu	Brass	13	Gasket	Conta	Non-Asbestos
7	Stem	Mil	Brass	14	Stud/Nut	Cıvata	Brass / SS 304

Dimensions / Ölçüler

DN	L	H	C	D	K	Øxn	kg	IMPA
15	55	120	80	80	60	Ø12x4	1.98	750131
20	60	130	100	85	65	Ø12x4	2.73	750132
25	65	145	125	95	75	Ø12x4	3.44	750133
32	80	150	125	115	90	Ø15x4	4.77	750134
40	85	165	140	120	95	Ø15x4	5.99	750135
50	100	200	140	130	105	Ø15x4	10.1	750136
65	115	220	160	155	130	Ø15x4	15.6	750137