

# RDCS - Hydraulic Cushion slow Closing Check Valve

**R**<sub>DCS</sub> is a double-flange swing check valve with rubber disc and hydraulic cushion. At the bottom of the valve body, there is a hydraulic cushion device, when the pump stops running, the disc will fall down quickly, about 15% of the stroke before the full closure. Then starting to close the disc slowly to avoid water hammer through the lower buffer device. This valve is suitable for clean water and sewage system.



## Features:

- Designed with double flanges, the rubber disc consists of a steel disc with nylon reinforcement and stainless steel rod .
- The rubber disc is fully vulcanized with NBR/ EPDM for better sealing and corrosion resistance.
- Nylon is lined into the disc to strengthen the disc and avoid rupture.
- The disc is on the top of the fluid after opening to reduce wear and tear. (without direct strike)
- All ductile iron parts are coated with epoxy.
- Simple design, the upper bonnet can be easily opened for cleaning, replacement and maintenance.
- In accordance with BS en1074-3, BS 4504 and BS EN558 surface distance.

## General Applications:

For general water supply, fire fighting, HVAC/ cooling & sewage system. Usually installed at the pump outlet.

## Technical parameters:

Size: DN50~DN600mm

Pressure Rating: PN10/PN16/PN25 Working

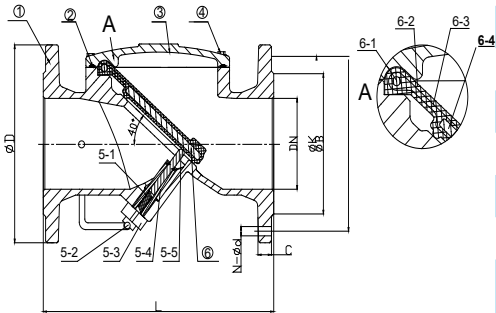
Temperature: -10°C ~ 80°C

Flow Media: Water and Waste Water

Connecting Flange: PN10/PN16/ANSI 150LB

\* For PN25 or other special requirements, Please consult factory

# RDCS-Main Valve



Pressure test:  
 Standard: BS/ISO/  
 Body seat: 1.1 X PN  
 Body: 1.5 X PN

## Parts list

Item	Part name	Material	Standard
1	Body	Cast iron	GJS 500-7
2	O -ring	Rubber	NBR
3	Bonnet	Cast iron	GJS 500-7
4	Bolts	Steel galvanized	Commercial
5	Slowly-closing steel	Stainless steel	AISI 304
5-1	Spring	Stainless steel	AISI 304
5-2	Slowly-closing tail plug	Stainless steel	AISI 304
5-3	Fixed nut	Bronze	ZCuAL10Fe3
5-4	Plunger pipe	Stainless steel	AISI 304
5-5	Plunger rod	Stainless steel	AISI 304
6	Wedge	Steel+rubber+nylon	#45steel+NBR/EPDM +nylon
6-1	Pin	stainless steel	AISI 304
6-2	Lining	rubber	NBR / EPDM
6-3	Reinforced fibre	Nylon	Commercial
6-4	Wedge	CS /cast iron	#45 steel/GJS 500-7
7	stainless pipe	stainless steel	AISI 304
8	Needle valve	Stainless steel	AISI 304

Unit: mm

DN	Model	L	D1			D2			n- Ød					
			PN10	PN16	PN25	PN10	PN16	PN25	PN10	PN16	PN25	PN10	PN16	PN25
50	RDCS-0050	203	165			125			4-Ø19					
65	RDCS-0065	216	185			145			4-Ø19		8-Ø19		19	
80	RDCS-0080	241	200			160			8-Ø19					
100	RDCS-0100	292	220	235	180	190	8-Ø19	8-Ø23		19				
125	RDCS-0125	330	250	270	210	220	8-Ø19	8-Ø28		19				
150	RDCS-0150	356	285	300	240	250	8-Ø23	8-Ø28	19	20				
200	RDCS-0200	495	340	360	295	310	8-Ø23	12-Ø23	12-Ø28	20	22			
250	RDCS-0250	622	395	405	425	350	355	370	12-Ø23	12-Ø28	12-Ø31	22	24.5	
300	RDCS-0300	698	445	460	485	400	410	430	12-Ø 23	12-Ø28	12-Ø31	24.5	27.5	
350	RDCS-0350	787	505	520	---	460	470	---	16-Ø23	16-Ø28	---	24.5	26.5	---
400	RDCS-0400	914	565	580	---	515	525	---	16-Ø28	16-Ø31	---	24.5	28	---
450	RDCS-0450	914	615	640	---	565	585	---	20-Ø28	20-Ø31	---	25.5	30	---
500	RDCS-0500	978	670	715	---	620	650	---	20-Ø28	20-Ø34	---	26.5	31.5	---
600	RDCS-0600	1100	780	840	---	725	770	---	20-Ø31	20-Ø37	---	30	36	---

## RDCS-0150-16

Model :  
RDCS

Flange /Pressure Rate :

- 10: PN10
- 16: PN16
- 25: PN25
- A1: ANSI125/150

Dimension:  
 0080: 80 mm  
 0150: 150 mm