



Ductile iron repair clamp PN10/PN16

repair clamp standard: comply with EN545

Coating standard: EN30677

Test standard: EN12266-1

Working pressure and Temperature

size DN50 to DN300, Working pressure PN10/PN16

Temperature from -10°C to 120°C for EPDM gasket

Temperature from -10°C to 82°C for NBR gasket



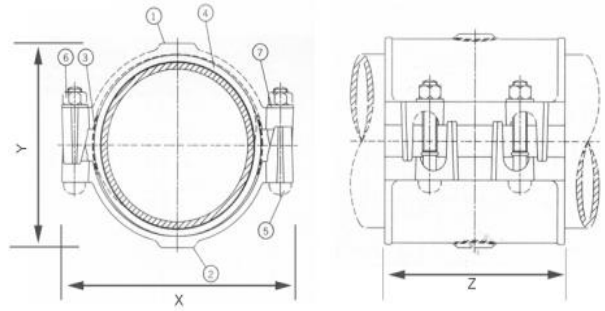
Connection for PVC, HDPE, DI, steel GRP etc pipe which pipe OD is in our repair clamp range

suitable for potable water, neutral liquids and sewage

WRAS approved is available upon request

Material specification

Sr.No.	Name	Material
1&2	Body	Ductile Iron
3	Bridge plate	SS304
4	Gasket	EPDM/NBR
5	Bolts	Grade 8.8 darcomet coated carbon steel
6	Nuts	Grade 8.8 darcomet coated carbon steel
7	Washer	Grade 8.8 darcomet coated carbon steel



Options: Grade 8.8 carbon steel bolts with galvanization/dacromet/teflonetc

Stainless steel SS304/SS316/SS316L/A2/A4etc bolts

FBE coating and Nylon 11 coating is available

DN	Range OD	X	Y(max)	Z	Bolt NO. -MXL	Weight(kg)	Outlet BSP Threaded size
50	66-75	150	110	200	4-M12X65	4.1	3/4"
65	75-84	159	119	200	4-M12X65	4.4	3/4"
80	92-103	184	145	200	4-M16X95	4.9	3/4"
100	115-125.6	211	167	200	4-M16X95	6.0	1/2", 3/4" or 1"
125	141-153.9	239	182	200	4-M16X95	7.5	3/4" or 1"
150	166-181.2	267	217	200	4-M16X95	8.3	3/4" or 1"
175	200-210	296	238	200	4-M16X95	9.0	3/4" or 1"
200	216-226	313	269	200	4-M16X95	9.5	1"
200	230.2-243.5	328	281	200	4-M16X95	10.8	3/4" or 1"
225	243-267	362	307	212	4-M16X120	13.6	3/4" or 1"
250	269-294	395	322	250	6-M16X120	18.5	1/2", 3/4" or 1"
300	323-349	450	387	300	8-M16X120	25.2	1/2", 3/4" or 1"

Please note dimension may vary at our discretion

Address: 272 Bath Street Glasgow G2 4JR Cell: +44 (0) 776348 8809: Land: +44 (0) 1369 760423:

Email: john@afcvalves.co.uk: Web: www.afcvalves.co.uk