

## Product Structural Features

DIN check valve is applicable to the cutting and connection of pipelines medium that are used in various industries such as petroleum, chemical industry, pharmacy, chemical fertilizer, electric power industry, etc., nominal pressure of PN1.6~16Mpa and working temperature range -110~600°C.

## Main Structural Features

1. This product has logical structure, reliable seal, excellent performance and design.
2. The seal surface is build-up welding with hard alloy, which is attrition-resistant, corrosion-resistant, has good friction resistant and long life.
3. The part material, flange and butt-weld ends dimension selected according to current operating condition and user's requirement to meet engineer solution projects.

## Technical Specification

Structural Formation	Operator	Design Standard	Face to Face	BW Ends	Flange Ends	Test & Inspection
BC	N/A	DIN3356	DIN3202	DIN3202 BS EN 12627	DIN2543-2547 BS EN 1092-1	DIN3230 BS EN 12569

Notes: As client's request, we may provide Pneumatic, Hydraulic actuator, etc.

## Products Performance Specification

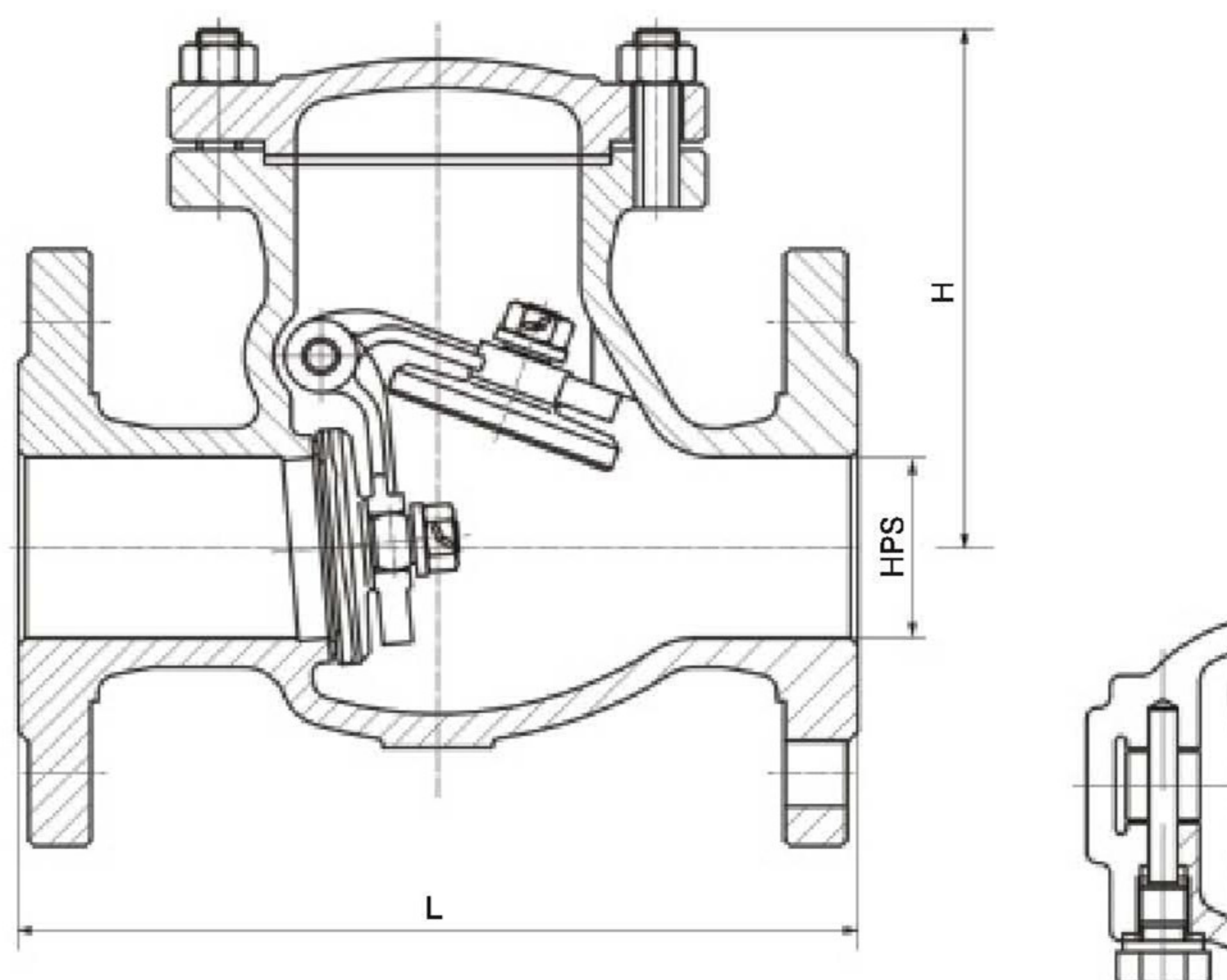
Nominal Pressure (Mpa)	Shell Test (Mpa)	Sealing Test (Mpa)	Air Seal Test (Mpa)	Suitable Medium
1.6	2.4	1.76	0.6	Water, Oil & Gas, etc.
2.5	3.75	2.75		
4.0	6.0	4.4		
6.4	9.6	7.04		
10.0	15.0	11.0		
16.0	24.0	17.6		

## Main Parts Materials

<b>Body</b>	GS-C25								1.4308		
<b>Disc</b>	GS-C25			1.4308		1.4408		Monel		1.4308	
<b>Wedge Disc Sealing Face</b>	13Cr	13Cr	STL	SS304	STL	SS316	STL	Monel	SS304	SS304	STL
<b>Seat Ring Sealing Face</b>	13Cr	STL	STL	SS304	STL	SS316	STL	Monel	SS304	STL	STL
<b>Body</b>	1.4408				1.4306				1.4404		
<b>Disc</b>	1.4408				1.4306				1.4404		
<b>Wedge Disc Sealing Face</b>	SS316	SS316	STL	SS304L	SS304L	STL	SS316L	SS316L	STL	STL	STL
<b>Seat Ring Sealing Face</b>	SS316	STL	STL	SS304L	STL	STL	SS316L	STL	STL	STL	STL

PN1.6Mpa~2.5Mpa

## DIN Swing Check Valve F1 Series



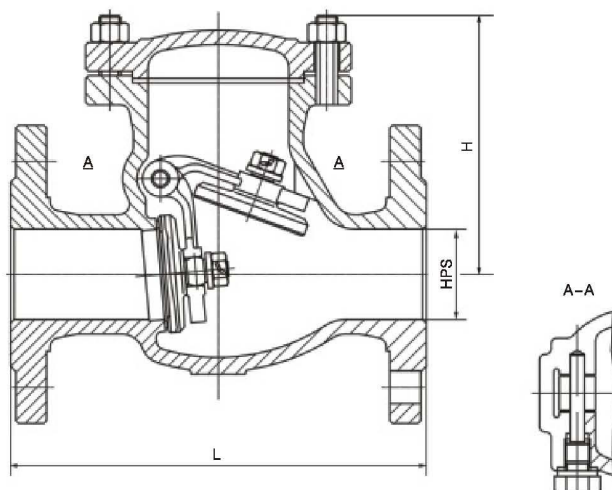
### Dimensions Data

Pressure(Mpa)		PN1.6Mpa										
Size	mm	50	65	80	100	125	150	200	250	300	350	400
L		200	240	260	300	350	400	500	600	700	800	900
H		305	354	402	437	496	541	699	815	914	1189	1350
Weight(kg)		21	28	38	58	92	130	210	295	365	410	460

Pressure(Mpa)		PN2.5Mpa										
Size	mm	50	65	80	100	125	150	200	250	300	350	400
L		200	240	260	300	350	400	500	600	700	800	900
H		325	363	415	453	505	556	744	864	948	1269	1450
Weight(kg)		22	29	38	61	96	132	213	297	375	415	480

PN4.0Mpa~10.0Mpa

### DIN Swing Check Valve F1/F2 Series



#### Dimensions Data

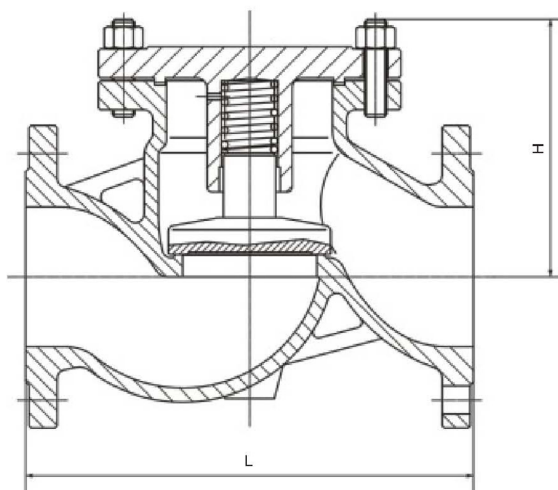
Pressure(Mpa)		PN4.0Mpa														
Size	mm	40	50	65	80	100	125	150	200	250	300	350	400	450	500	600
L		200	230	290	310	350	400	480	600	730	850	980	1100	1200	1250	1450
H		135	152	178	185	210	290	310	365	445	480	510	545	595	655	860
Weight(kg)		15	22	29	40	46	58	92	168	310	430	558	780	915	1170	1350

Pressure(Mpa)		PN6.4Mpa														
Size	mm	40	50	65	80	100	125	150	200	250	300	350	400	450	500	600
L		260	300	340	380	430	500	550	650	775	900	1025	1150	1275	1400	1600
H		168	175	192	225	280	310	335	390	452	520	570	626	695	770	905
Weight(kg)		40	48	62	80	114	187	214	329	418	640	911	1130	1320	1693	2015

Pressure(Mpa)		PN10.0Mpa														
Size	mm	40	50	65	80	100	125	150	200	250	300	350	400	450	500	600
L		260	300	340	380	430	500	550	650	775	900	1025	1150	1275	1400	1600
H		165	183	205	236	272	305	345	398	456	528	600	685	-	-	-
Weight(kg)		48	65	73	87	105	192	208	370	668	963	1100	1358	-	-	-

PN1.6Mpa~4.0Mpa

## DIN Lift Check Valve F1 Series



### Dimensions Data

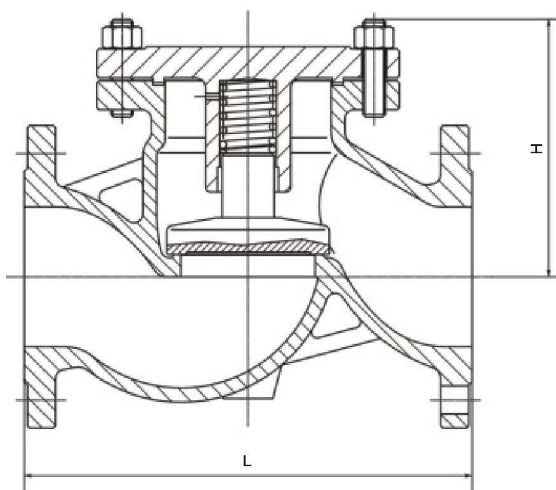
Pressure(Mpa)		PN1.6Mpa										
Size	mm	50	65	80	100	125	150	200	250	300	350	400
L		230	290	310	350	400	480	600	730	850	980	1100
H		305	354	402	437	496	541	699	815	914	1189	1350
Weight(kg)		10	20	30	39	50	70	161	251	395	500	618

Pressure(Mpa)		PN2.5Mpa										
Size	mm	50	65	80	100	125	150	200	250	300	350	400
L		230	290	310	350	400	480	600	730	850	980	1100
H		325	363	415	453	505	556	744	864	948	1269	1450
Weight(kg)		12	22	33	44	55	78	180	270	410	520	650

Pressure(Mpa)		PN4.0Mpa										
Size	mm	50	65	80	100	125	150	200	250	300	350	400
L		230	290	310	350	400	480	600	730	850	980	1100
H		325	370	430	480	532	589	783	888	965	1285	1512
Weight(kg)		13	23	34	46	60	85	190	280	430	550	680

PN6.4Mpa~10.0Mpa

### DIN Lift Check Valve F2 Series



#### Dimensions Data

Pressure(Mpa)		PN6.4Mpa													
Size	mm	15	20	25	32	40	50	65	80	100	125	150	200	250	300
L		210	230	230	260	260	300	340	380	430	500	550	650	775	900
H		100	110	125	140	168	170	188	205	230	240	265	310	-	-
Weight(kg)		-	-	-	-	-	-	-	-	-	-	-	-	-	-

Pressure(Mpa)		PN10.0Mpa													
Size	mm	15	20	25	32	40	50	65	80	100	125	150	200	250	300
L		210	230	230	260	260	300	340	380	430	500	550	650	775	900
H		100	110	125	140	170	185	200	235	265	310	350	400	-	-
Weight(kg)		-	-	-	-	-	-	-	-	-	-	-	-	-	-