

Product Structural Features

DIN gate valve is applicable to the cutting and connection of pipelines medium that are used in various industries such as petroleum, chemical industry, pharmacy, chemical fertilizer, electric power industry, etc., nominal pressure of PN1.6~16Mpa and working temperature range -110~600°C.

Main Structural Features

1. This product has logical structure, reliable seal, excellent performance and design.
2. The seal surface is build-up welding with hard alloy, which is attrition-resistant, corrosion-resistant, has good friction resistant and long life.
3. The stem is quenched and its surface is treated by nitriding treatment, thus it has good corrosion resistant and friction resistant.
4. It has double seal capability, which becomes more reliable.
5. The part material, flange and butt-weld ends dimension selected according to current operating condition and user's requirement to meet various engineer solution projects.

Technical Specification

Structural Formation	Operator	Design Standard	Face to Face	BW Ends	Flange Ends	Test & Inspection
BB,OS&Y/NRS	Manual Operator	DIN3352 BS EN 1984	DIN3202 BS EN 658-1	DIN3202 BS EN 12627	DIN2543-2547 BS EN 1092-1	DIN3230 BS EN 12569
	Electric Actuator					

Notes: As client's request, we may provide Pneumatic, Hydraulic actuator, etc.

Products Performance Specification

Nominal Pressure (Mpa)	Shell Test (Mpa)	Sealing Test (Mpa)	Air Seal Test (Mpa)	Suitable Medium
1.6	2.4	1.76	0.6	Water, Oil & Gas, etc.
2.5	3.75	2.75		
4.0	6.0	4.4		
6.4	9.6	7.04		
10.0	15.0	11.0		
16.0	24.0	17.6		

Main Parts Materials

Body	GS-C25								1.4308			
Disc	GS-C25			1.4308		1.4408		Monel		1.4308		
Stem	A182 F6a			A182 F304		A182 F316		Monel		A182 F304		
Wedge Disc Sealing Face	13Cr	13Cr	STL	SS304	STL	SS316	STL	Monel	SS304	SS304	STL	
Seat Ring Sealing Face	13Cr	STL	STL	SS304	STL	SS316	STL	Monel	SS304	STL	STL	
Body	1.4408				1.4306				1.4404			
Disc	1.4408				1.4306				1.4404			
Stem	A182 F316				A182 F304L				A182 F316L			
Wedge Disc Sealing Face	SS316	SS316	STL	SS304L	SS304L	STL	SS316L	SS316L	STL	SS316L	STL	
Seat Ring Sealing Face	SS316	STL	STL	SS304L	STL	STL	SS316L	STL	SS316L	STL	STL	

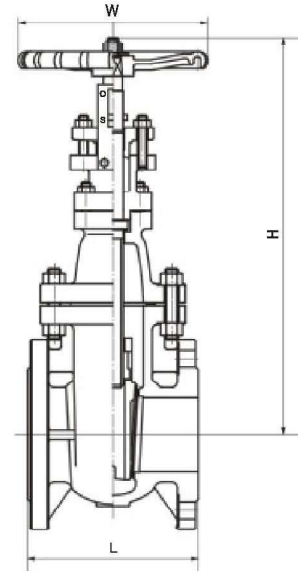
PN1.0Mpa~1.6Mpa

DIN Non-rising Stem Gate Valve F4 Series

Dimensions Data

Pressure (Mpa)		PN1.0Mpa											
Size	mm	40	50	65	80	100	125	150	200	250	300	350	400
L		140	150	170	180	190	200	210	230	250	270	290	310
H		278	285	315	360	419	447	546	645	749	830	950	1120
W		160	160	160	160	200	200	200	200	320	320	360	360
Weight(kg)		13	16	20	26	35	48	56	92	145	204	298	378

Pressure (Mpa)		PN1.6Mpa											
Size	mm	40	50	65	80	100	125	150	200	250	300	350	400
L		140	150	170	180	190	200	210	230	250	270	290	310
H		278	285	315	360	419	447	546	645	749	830	950	1120
W		160	160	160	160	200	200	200	200	320	320	360	360
Weight(kg)		13	16	20	26	35	48	56	100	152	219	306	390



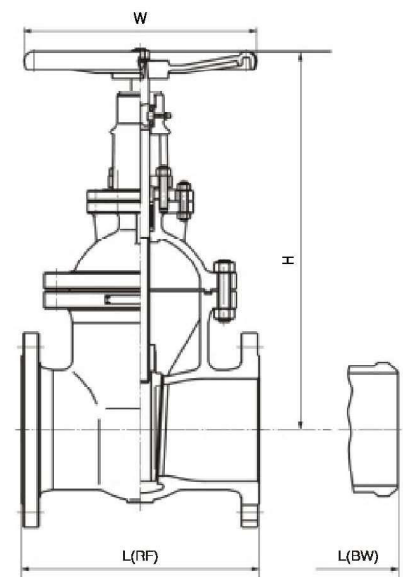
PN2.5Mpa~4.0Mpa

DIN Non-rising Stem Gate Valve F5/F15 Series

Dimensions Data

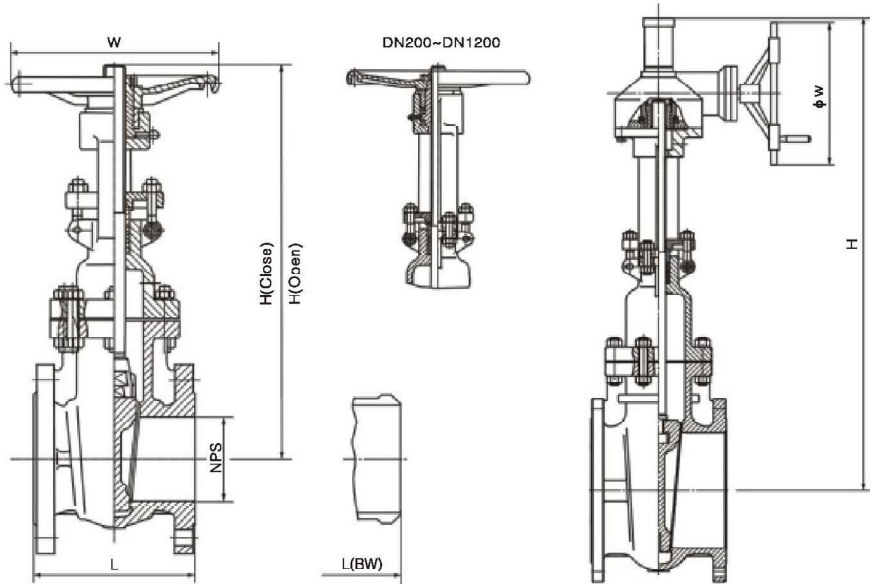
Pressure (Mpa)		PN2.5Mpa												
Size	mm	40	50	65	80	100	125	150	200	250	300	350	400	500
L		240	250	270	280	300	325	350	400	450	500	550	600	700
H		320	325	363	415	453	505	556	744	864	948	1012	1180	1320
W		200	200	200	250	300	350	400	450	500	550	600	640	720
Weight(kg)		19	20	30	39	58	80	101	190	290	405	510	650	960

Pressure (Mpa)		PN4.0Mpa												
Size	mm	40	50	65	80	100	125	150	200	250	300	350	400	500
L		240	250	270	280	330	360	390	460	530	630	690	750	880
H		320	325	363	415	453	505	556	744	864	948	1012	1180	1320
W		200	200	200	250	300	350	400	450	500	550	600	720	950
Weight(kg)		20	22	31	41.5	61	83	110	210	318.5	430	520	680	1060



PN1.0Mpa~1.6Mpa

DIN Rising Stem Gate Valve F4 Series



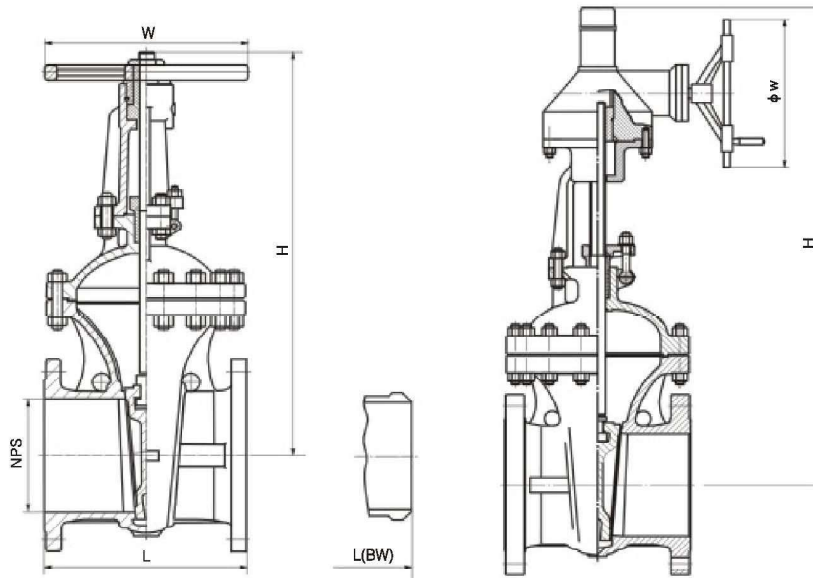
Dimensions Data

Pressure (Mpa)		PN1.0Mpa																			
Size	mm	40	50	65	80	100	125	150	200	250	300	350	400	450	500	600	700	800	900	1000	1200
L		140	150	170	180	190	200	210	230	250	270	290	310	330	350	390	430	470	510	550	630
H		295	305	345	370	445	530	565	725	885	1010	1140	1295	1380	1535	1835	2155	-	-	-	-
H ₁		-	-	-	-	-	-	-	965	1220	1365	1545	1755	1890	2085	2435	2925	3275	3670	4220	4845
W		200	200	200	250	280	280	300	360	400	400	450	500	500	600	700	800	-	-	-	-
W ₁		-	-	-	-	-	-	-	310	310	310	310	460	460	460	460	530	530	530	530	600
Weight(kg)		14	18	22	29	39	53	62	101	160	224	328	416	487	563	852	1250	1830	2295	3700	5050

Pressure (Mpa)		PN1.6Mpa																			
Size	mm	40	50	65	80	100	125	150	200	250	300	350	400	450	500	600	700	800	900	1000	1200
L		140	150	170	180	190	200	210	230	250	270	290	310	330	350	390	430	470	510	550	630
H		295	305	345	370	445	530	565	725	885	1010	1140	1295	1380	1535	1835	2155	-	-	-	-
H ₁		-	-	-	-	-	-	-	965	1220	1365	1545	1755	1890	2085	2435	2925	3275	3670	4220	4845
W		200	200	200	250	280	280	300	360	400	400	450	500	500	600	700	800	-	-	-	-
W ₁		-	-	-	-	-	-	-	310	310	310	310	460	460	460	460	530	530	530	530	600
Weight(kg)		14	18	22	29	39	53	62	110	167	241	337	429	494	571	859	1259	1836	2302	3709	5056

PN1.6Mpa~2.5Mpa

DIN Rising Stem Gate Valve F5 Series



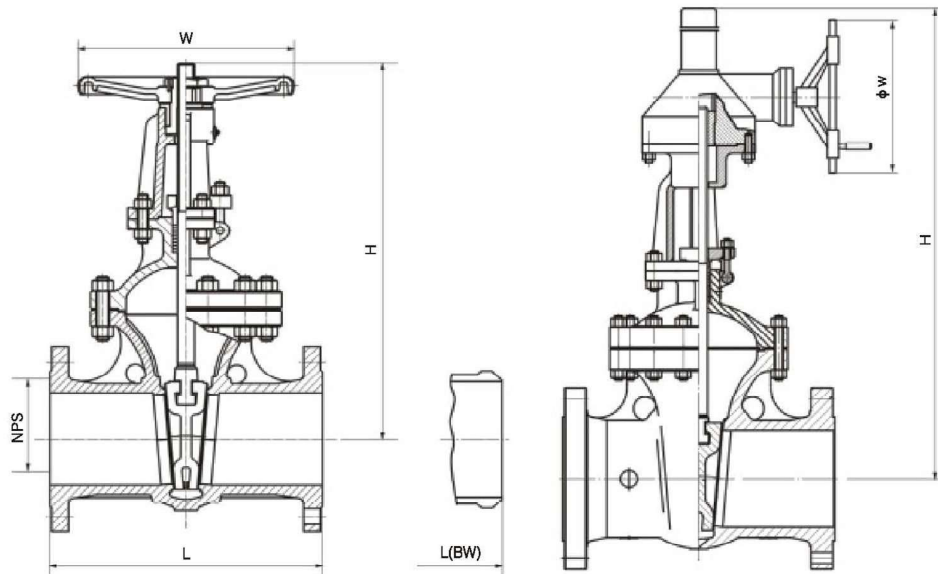
Dimensions Data

Pressure (Mpa)	PN1.6Mpa																				
	Size	mm	40	50	65	80	100	125	150	200	250	300	350	400	450	500	600	700	800	900	1000
L		240	250	270	280	300	325	350	400	450	500	550	600	650	700	800	900	1000	1100	1200	1400
H		300	358	375	433	502	612	676	820	969	1142	1280	1452	1565	1676	1864	2083	2400	-	-	-
H ₁		-	-	-	-	-	-	-	-	1220	1370	1525	1755	1890	2135	2585	2945	3345	3750	4005	4830
W		200	280	280	320	360	400	400	400	450	560	640	640	640	720	800	800	950	-	-	-
W ₁		-	-	-	-	-	-	-	-	310	310	310	460	460	460	600	600	600	600	600	600
Weight(kg)		17	19	27.5	32	40	68	75	115	140	310	390	460	600	750	900	1600	2100	3080	3944	6020

Pressure (Mpa)	PN2.5Mpa																				
	Size	mm	40	50	65	80	100	125	150	200	250	300	350	400	450	500	600	700	800	900	1000
L		240	250	270	280	300	325	350	400	450	500	550	600	650	700	800	900	1000	1100	1200	1400
H		300	358	375	433	502	612	676	820	969	1142	1280	1452	1565	1676	1864	-	-	-	-	-
H ₁		-	-	-	-	-	-	-	-	1220	1370	1525	1755	1890	2135	2585	2945	3345	3750	4005	4830
W		200	280	280	320	360	400	400	400	450	560	640	640	640	720	800	-	-	-	-	-
W ₁		-	-	-	-	-	-	-	-	310	310	310	460	460	460	600	600	600	600	600	600
Weight(kg)		17	19	27.5	34.5	43	72	108	182	280	352	495	652	925	1250	1560	2030	2558	3870	4960	7558

PN4.0Mpa~6.4Mpa

DIN Rising Stem Gate Valve F7 Series



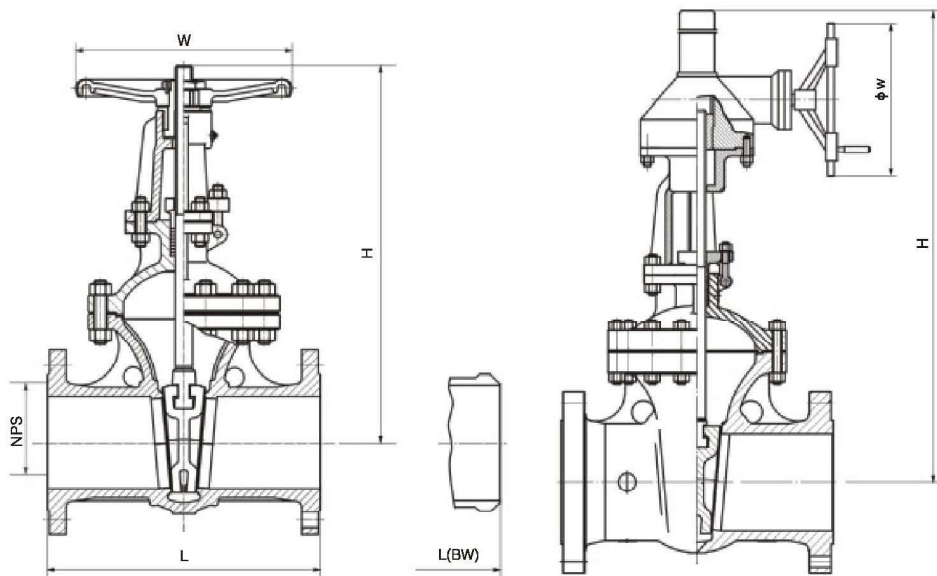
Dimensions Data

Pressure (Mpa)		PN4.0Mpa																
Size	mm	40	50	65	80	100	125	150	200	250	300	350	400	500	600	700	800	900
L		240	250	290	310	350	400	450	550	650	750	850	950	1150	1350	1550	1750	1950
H		323	372	395	457	552	634	708	858	1015	1203	1341	1492	1790	1875	-	-	-
H ₁		-	-	-	-	-	-	-	-	1225	1420	1580	1755	2125	2520	2945	3450	3890
W		200	280	280	320	360	400	400	450	560	640	640	720	950	950	-	-	-
W ₁		-	-	-	-	-	-	-	-	310	310	310	460	530	530	600	600	600
Weight(kg)		17	19	27.5	38	56	95	104	184	352	470	680	910	1450	2150	3050	-	-

Pressure (Mpa)		PN6.4Mpa																
Size	mm	40	50	65	80	100	125	150	200	250	300	350	400	500	600	700	800	900
L		240	250	290	310	350	400	450	550	650	750	850	950	1150	1350	1550	1750	1950
H		360	404	456	504	553	638	718	873	1053	1203	1394	1645	2285	2508	-	-	-
H ₁		-	-	-	-	-	-	890	1080	1285	1475	1635	1840	2180	2500	-	-	-
W		240	280	280	320	360	400	450	560	640	640	720	800	950	950	-	-	-
W ₁		-	-	-	-	-	-	310	310	460	460	460	530	530	530	-	-	-
Weight(kg)		19	20	35	52	66	103	140	230	410	510	780	940	1600	3765	-	-	-

PN10.0Mpa
DIN Rising Stem Gate Valve DIN F7 Series
Dimensions Data

Pressure (Mpa)		PN10.0Mpa																
Size	mm	40	50	65	80	100	125	150	200	250	300	350	400	500	600	700	800	900
L		240	250	290	310	350	400	450	550	650	750	850	950	1150	1350	1550	1750	1950
H		360	390	415	460	510	625	750	890	1050	1208	-	-	-	-	-	-	-
H ₁		-	-	-	-	-	-	890	1200	1415	1680	1900	2285	-	-	-	-	-
W		180	200	250	280	300	360	450	500	650	700	-	-	-	-	-	-	-
W ₁		-	-	-	-	-	-	310	310	460	460	460	530	-	-	-	-	-
Weight(kg)		28	42	55	63	101	147	228	449	608	1020	1350	1650	-	-	-	-	-

PN16.0Mpa
DIN Rising Stem Gate Valve F8 Series

Dimensions Data

Pressure (Mpa)		PN16.0Mpa									
Size	mm	40	50	65	80	100	125	150	200	250	300
L		270	300	360	390	450	525	600	750	900	1050
H		365	512	560	585	631	670	820	990	-	-
H ₁		-	-	-	-	-	840	955	1235	1500	1725
W		250	280	280	300	360	400	500	650	-	-
W ₁		-	-	-	-	-	310	310	460	460	530
Weight(kg)		50	74	107	120	180	342	410	582	950	1380