

Product Structural Features

DIN globe valve is applicable to the cutting and connection of pipelines medium that are used in various industries such as petroleum, chemical industry, pharmacy, chemical fertilizer, electric power industry, etc., nominal pressure of PN1.6~16Mpa and working temperature range -110~600℃.

Main Structural Features

1. This product has logical structure, reliable seal, excellent performance and design.
2. The seal surface is build-up welding with hard alloy, which is attrition-resistant, corrosion-resistant, has good friction resistant and long life.
3. The stem is quenched and tempered, and its surface is treated by nitriding treatment, thus it has good corrosion resistant and friction resistant.
4. The part material, flange and butt-weld ends dimension selected according to current operating condition and user's requirement to meet various engineer solution projects.

Technical Specification

Structural Formation	Operator	Design Standard	Face to Face	BW Ends	Flange Ends	Test & Inspection
BB,OS&Y	Manual Operator	DIN3356	DIN3202	DIN3202 BS EN 12627	DIN2543-2548 BS EN 1092-1	DIN3230 BS EN 12569
	Electric Actuator					

Notes: As client's request, we may provide Pneumatic, Hydraulic actuator, etc.

Products Performance Specification

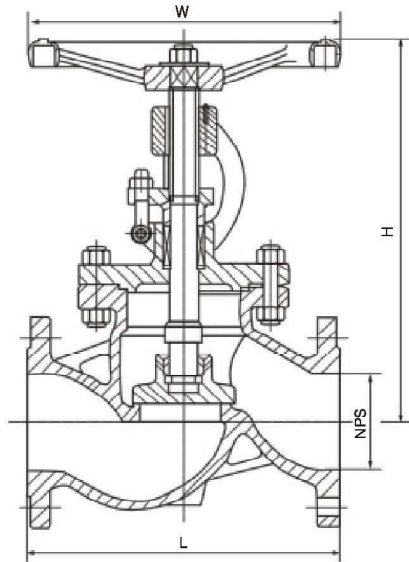
Nominal Pressure (Mpa)	Shell Test (Mpa)	Sealing Test (Mpa)	Air Seal Test(Mpa)	Suitable Medium
1.6	2.4	1.76	0.6	Water, Oil & Gas, etc.
2.5	3.75	2.75		
4.0	6.0	4.4		
6.4	9.6	7.04		
10.0	15.0	11.0		
16.0	24.0	17.6		

Main Parts Materials

Body	GS-C25								1.4308		
Disc	GS-C25			1.4308		1.4408		Monel		1.4308	
Stem	A182 F6a			A182 F304		A182 F316		Monel		A182 F304	
Wedge Disc Sealing Face	13Cr	13Cr	STL	SS304	STL	SS316	STL	Monel	SS304	SS304	STL
Seat Ring Sealing Face	13Cr	STL	STL	SS304	STL	SS316	STL	Monel	SS304	STL	STL
Body	1.4408				1.4306				1.4404		
Disc	1.4408				1.4306				1.4404		
Stem	A182 F316				A182 F304L				A182 F316L		
Wedge Disc Sealing Face	SS316	SS316	STL	SS304L	SS304L	STL	SS316L	SS316L	STL	SS316L	STL
Seat Ring Sealing Face	SS316	STL	STL	SS304L	STL	STL	SS316L	STL	STL	SS316L	STL

PN1.6Mpa~4.0Mpa

DIN Globe Valve F1 Series



Dimensions Data

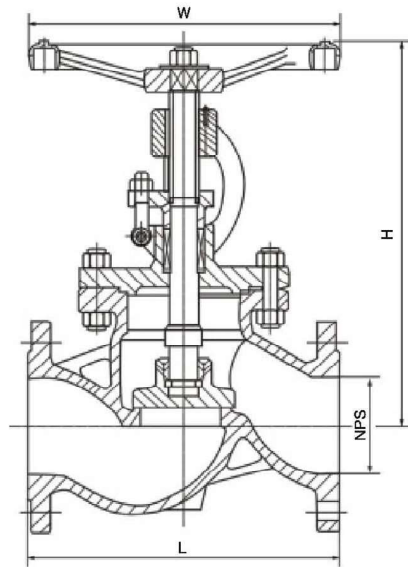
Pressure(Mpa)		PN1.6Mpa															
Size	mm	15	20	25	32	40	50	65	80	100	125	150	200	250	300	350	400
L		130	150	160	180	200	230	290	310	350	400	480	600	730	850	980	1100
H		240	260	276	285	300	305	354	402	437	496	541	699	815	914	1189	1350
W		120	140	160	160	180	200	200	750	250	300	350	400	450	500	550	600
Weight(kg)		5.2	7.1	7.4	8.5	13	20	25	35	50	75	100	210	446	648	805	1050

Pressure(Mpa)		PN2.5Mpa															
Size	mm	15	20	25	32	40	50	65	80	100	125	150	200	250	300	350	400
L		130	150	160	180	200	230	290	310	350	400	480	600	730	850	980	1100
H		240	260	276	285	300	325	363	415	453	505	556	744	864	948	1269	1450
W		120	140	160	160	180	200	200	250	300	350	400	450	500	550	600	600
Weight(kg)		6	7.5	8	9	14	22	27	38	55	82	105	220	450	660	810	1100

Pressure(Mpa)		PN4.0Mpa															
Size	mm	15	20	25	32	40	50	65	80	100	125	150	200	250	300	350	400
L		130	150	160	180	200	230	290	310	350	400	480	600	730	850	980	1100
H		240	260	276	285	300	325	370	430	480	532	589	783	888	965	1285	1512
W		120	140	160	160	180	200	200	250	300	350	400	450	500	550	600	600
Weight(kg)		6	7.5	8	9	15	24	30	41	60	85	110	225	460	670	830	1120

PN6.4Mpa~16.0Mpa

DIN Globe Valve F2 Series



Dimensions Data

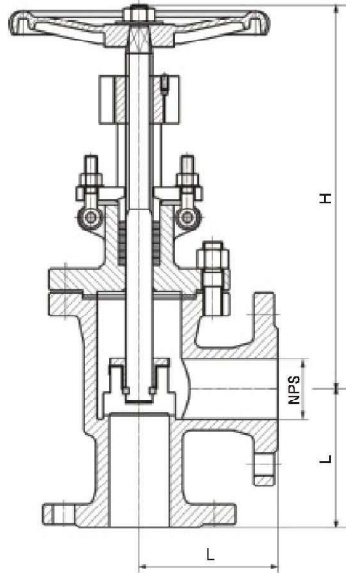
Pressure(Mpa)		PN6.4Mpa															
Size	mm	15	20	25	32	40	50	65	80	100	125	150	200	250	300	350	400
L		130	150	160	180	200	300	340	380	430	500	550	650	775	900	1025	1150
H		240	260	276	285	300	305	354	402	437	496	541	699	815	914	1189	1350
W		120	140	160	160	180	200	200	750	250	300	350	400	450	500	550	600
Weight(kg)		8	10	12	16	17	26	33	45	65	90	120	230	470	680	850	1130

Pressure(Mpa)		PN10.0Mpa															
Size	mm	15	20	25	32	40	50	65	80	100	125	150	200	250	300	350	400
L		130	150	160	180	200	300	340	380	450	500	550	650	775	900	1025	1250
H		240	260	276	285	300	325	363	415	453	505	556	744	864	948	1269	1450
W		120	140	160	160	180	200	200	250	300	350	400	450	500	550	600	600
Weight(kg)		8	10	13	17	19	27	34	46	67	95	125	235	480	690	860	1150

Pressure(Mpa)		PN16.0Mpa															
Size	mm	15	20	25	32	40	50	65	80	100	125	150	200	250	300	350	400
L		130	150	160	180	200	300	340	380	450	500	550	650	775	900	1025	1250
H		240	260	276	285	300	325	370	430	480	532	589	783	888	965	1285	1512
W		120	140	160	160	180	200	200	250	300	350	400	450	500	550	600	600
Weight(kg)		8	10	13	17	20	28	35	49	70	100	130	245	490	710	890	1190

PN1.6Mpa~4.0Mpa

DIN Angle Globe Valve F32 Series



Dimensions Data

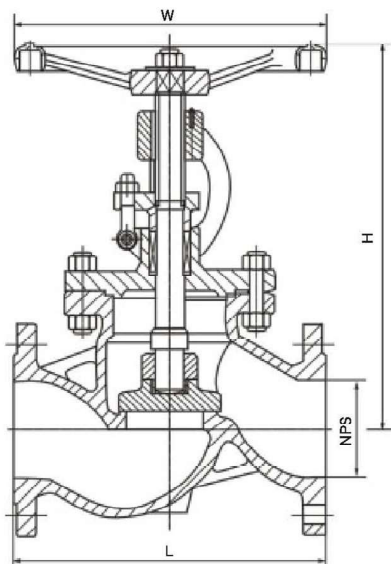
Pressure(Mpa)		PN1.6Mpa															
Size	mm	15	20	25	32	40	50	65	80	100	125	150	200	250	300	350	400
L		90	95	100	105	115	250	270	280	330	360	390	460	530	630	690	750
H		246	260	276	285	300	305	354	402	437	496	541	699	815	914	1189	1350
W		120	140	160	160	180	200	200	750	250	300	350	400	450	500	550	600
Weight(kg)		6	7.5	8	9	14	22	27	38	55	82	105	220	450	660	810	1100

Pressure(Mpa)		PN2.5Mpa															
Size	mm	15	20	25	32	40	50	65	80	100	125	150	200	250	300	350	400
L		90	95	100	105	115	250	270	280	330	360	390	460	530	630	690	750
H		246	260	276	285	300	325	363	415	453	505	556	744	864	948	1269	1450
W		120	140	160	160	180	200	200	250	300	350	400	450	500	550	600	600
Weight(kg)		6	7.5	8	9	15	24	30	41	60	85	110	225	460	670	830	1120

Pressure(Mpa)		PN4.0Mpa															
Size	mm	15	20	25	32	40	50	65	80	100	125	150	200	250	300	350	400
L		90	95	100	105	115	250	270	280	330	360	390	460	530	630	690	750
H		246	260	276	285	300	325	370	430	480	532	589	783	888	965	1285	1512
W		120	140	160	160	180	200	200	250	300	350	400	450	500	550	600	600
Weight(kg)		8	10	12	16	17	26	33	45	65	90	120	230	470	680	850	1130

PN1.6Mpa~4.0Mpa

DIN Stop Globe Valve F1 Series



Dimensions Data

Pressure(Mpa)		PN1.6Mpa															
Size	mm	15	20	25	32	40	50	65	80	100	125	150	200	250	300	350	400
L		130	150	160	180	200	230	290	310	350	400	480	600	730	850	980	1100
H		240	260	276	285	300	305	354	402	437	496	541	699	815	914	1189	1350
W		120	140	160	160	180	200	200	750	250	300	350	400	450	500	550	600
Weight(kg)		5.2	7.1	7.4	8.5	13	20	25	35	50	75	100	210	446	648	805	1050

Pressure(Mpa)		PN2.5Mpa															
Size	mm	15	20	25	32	40	50	65	80	100	125	150	200	250	300	350	400
L		130	150	160	180	200	230	290	310	350	400	480	600	730	850	980	1100
H		240	260	276	285	300	325	363	415	453	505	556	744	864	948	1269	1450
W		120	140	160	160	180	200	200	250	300	350	400	450	500	550	600	600
Weight(kg)		6	7.5	8	9	14	22	27	38	55	82	105	220	450	660	810	1100

Pressure(Mpa)		PN4.0Mpa															
Size	mm	15	20	25	32	40	50	65	80	100	125	150	200	250	300	350	400
L		130	150	160	180	200	230	290	310	350	400	480	600	730	850	980	1100
H		240	260	276	285	300	325	370	430	480	532	589	783	888	965	1285	1512
W		120	140	160	160	180	200	200	250	300	350	400	450	500	550	600	600
Weight(kg)		6	7.5	8	9	15	24	30	41	60	85	110	225	460	670	830	1120