

FBLC-Flange Butterfly Valve

Features:

- . Pinless design for better operation without components loose and leakage during operation.
- . EPDM/NBR rubber on valve body ensures fully corrosion resistance.
- . Body is coated with epoxy resin for corrosion resistance to maximize service life.
- . Butterfly valves standard with a hard back seat. No movement of the seat which results in a constant torque, and:
 - Dimensionally stable seat sealing surface
 - Minimal seat wear, extending seat life
 - Blow-out proof seat
 - Easily field replaceable
- One-piece phonetic backing seat has integral O-ring seal for upper and lower valve shafts. Work with disc edge hub to provide a double stem seal.
- . Top flange meets ISO5211.
- . Rigid design aluminum lever
- . Bi-directional tight shut off closure.
- . Meets ISO 5752/DIN 3202/EN 593/BS 5155/

F BLC-is a resilient seated butterfly valve, with an EPDM/NBR rubber seat on valve body.

The rubber sealing provides both sides bubble tight shut off and the pinless design provides stronger and fixed connections between shaft and disc that ensure the stem stays firm during operation.



Service Fields:

General water supply, HVAC, water treatment, fire fighting, chemical system, and industry, etc.

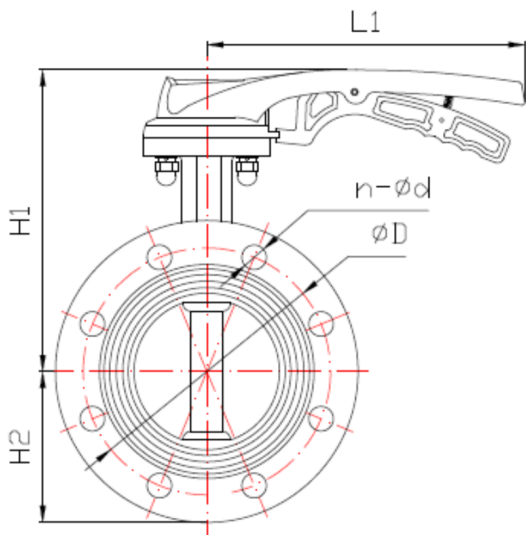
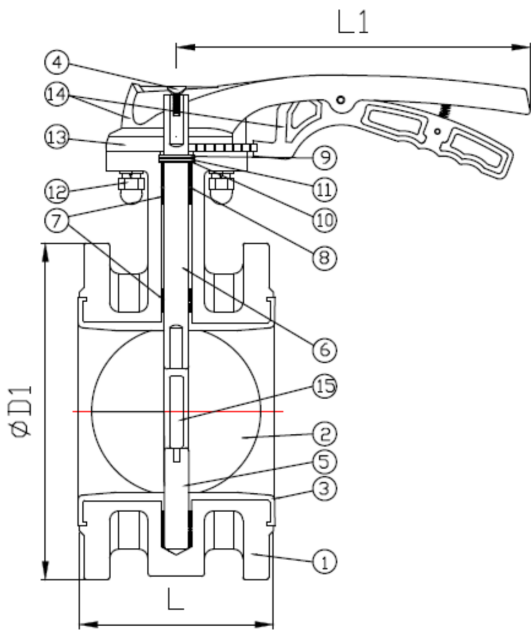
Technical Data:

Size range: DN50-1200mm
Pressure rating: 1.0Mpa; 1.6Mpa.
Temperature: -10°C~120°C

FBLC-Flange Butterfly Valve

Parts List

No.	Part Name	Material	Standard
1	Body	DI	ÖRÜİ İE€€
2	Disc	Stainless Steel	ØDÇH
3	Body Seat	Rubber	EPDM
4	Bolt	Stainless Steel	AISI 304
5	Lower Stem	Stainless Steel	AISI 420
6	Upper Stem	Stainless Steel	ØDÇA20
7	Bearing	Plastic	PTFE
8	O-Ring	Rubber	EPDM
9	Snap Spring	Steel	#50 Mn Steel
10	Washer	Stainless Steel	AISI 304
11	V@••Ø[æ	CS Zink plated	Commercial
12	Ó ø	Stainless Steel	AISI 304
13	Ør•âÖã&	Aluminum alloy	Commercial
14	Šç^!	Aluminum alloy	Commercial
15	V@••Äç{	Stainless Steel	AISI 304

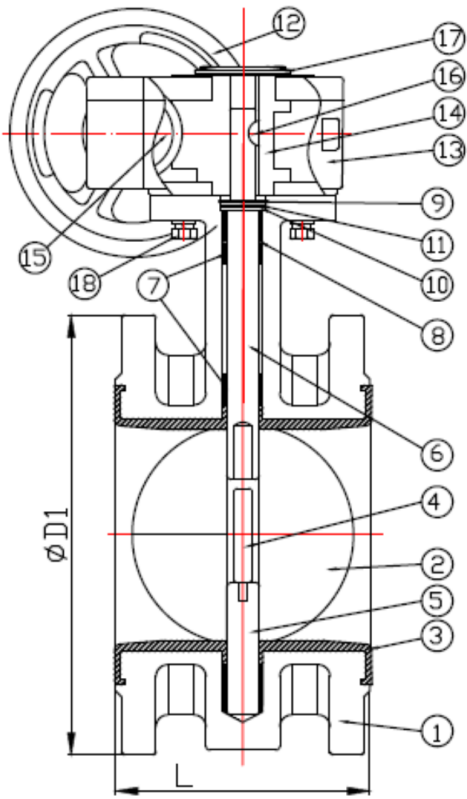


Dimension

Unit: mm

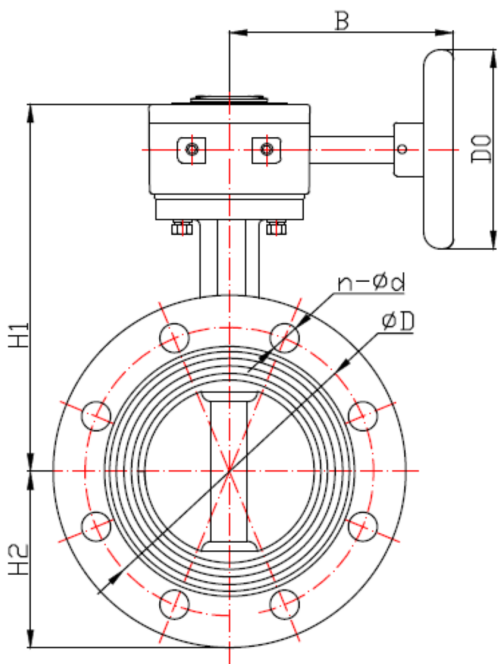
DN	ØD	ØD1	n-Ød	H1	H2	L	L1
50	125	165	4-Ø19	183	82.5	110	176
65	145	185	4-Ø19	196	93	114	176
80	160	200	8-Ø19	208	100	116	176
100	180	220	8-Ø19	232	110	129	215
125	210	250	8-Ø19	252	125	142	260
150	240	285	8-Ø23	272	143	142	260

FBGC-Flange Butterfly Valve



Parts List

No.	Part Name	Material	Standard
1	Body	DI	ÖRÜ İ Çİ
2	Disc	Stainless Steel	ÖDÜ Çİ
3	Body Seat	Rubber	EPDM
4	Thrust Stem	Stainless Steel	AISI 304
5	Lower Stem	Stainless Steel	AISI 420
6	Upper Stem	Stainless Steel	ÖDÜ Çİ
7	Bearing	Plastic	PTFE
8	O-Ring	Rubber	EPDM
9	Snap Spring	Steel	#50 Mn Steel
10	Washer	Stainless Steel	AISI 304
11	V@ • dÖ æ	Stainless Steel	AISI 304
12	Handwheel	CS	#45
13	Gear Shell	Aluminum alloy	Commercial
14	Gear	Ductile Iron	GJS450-10I
15	Gear Stem	CS	#45
16	Key	Stainless Steel	AISI 304
17	Indicator	Plastic	Commercial
18	Bolt	Stainless Steel	AISI 304

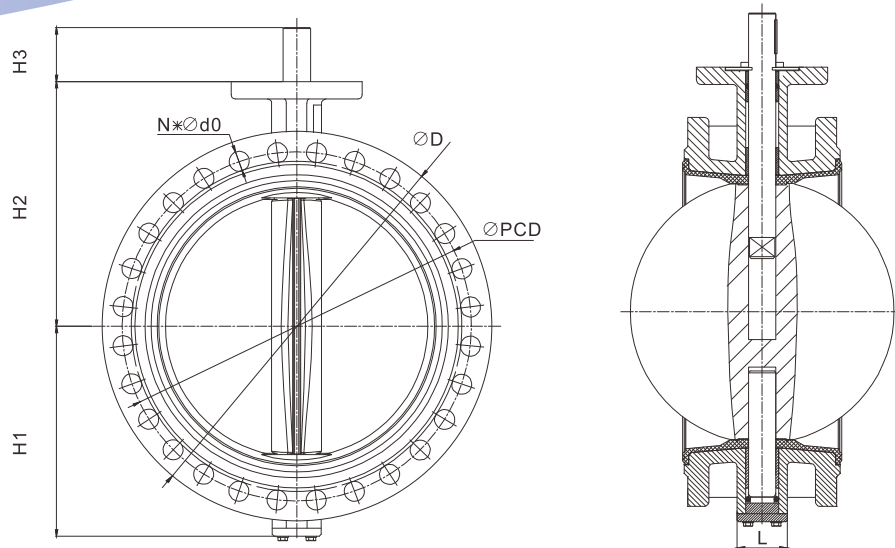


Dimension PN16

Unit: mm

DN	$\varnothing D$	$\varnothing D1$	$n-\varnothing d$	H1	H2	B	D0	L
50	125	165	4- $\varnothing 19$	181	82.5	131	121	110
65	145	185	4- $\varnothing 19$	194	93	131	121	114
80	160	200	8- $\varnothing 19$	208	100	131	121	116
100	180	220	8- $\varnothing 19$	228.5	110	143.5	160	129
125	210	250	8- $\varnothing 19$	248.5	125	143.5	160	142
150	240	285	8- $\varnothing 23$	268.5	143	143.5	160	142
200	295	340	12- $\varnothing 23$	303	170	181	220	154
250	355	405	12- $\varnothing 28$	342	203	181	220	167
300	410	460	12- $\varnothing 28$	386.5	230	232.5	280	180
350	470	520	16- $\varnothing 28$	421.5	270	232.5	280	192
400	525	580	16- $\varnothing 31$	478	287	262	350	218
450	585	640	20- $\varnothing 31$	496	320	262	350	224
500	650	715	20- $\varnothing 34$	605	355	317	300	229
600	770	840	20- $\varnothing 37$	662	420	334	300	267

Dimension



PN16

Unit: mm

DN	ØD	n-Ød0	H2	H1	PCD	H3
700	895	24-Ø37	660	480	840	100
800	1015	24-Ø40	720	580	950	100
900	1115	28-Ø40	785	625	1050	130
1000	1230	28-Ø43	900	660	1170	130
1200	1455	32-Ø49	917	780	1390	150

Order Coding

EB_L_C-0100-16-XXX

Model:
FB: Flange Butterfly Valve

Operator:
L: Lever Operator
G: Worm Gear Operator
B: Bare Valve
E: Electrical Operator

Type:
C: Concentric

Special Code:
Please consult factory

End Connection:
10: PN 10
16: PN 16
1K: JIS 10K

Valve Size:
0080: 80 mm
0200: 200 mm